

PCAM-101

Infrared License Plate Camera User Manual



Introduction

Thank you for purchasing your EchoMaster Pro automotive camera.

This manual covers the following part numbers:

▶ PCAM-101-N

EchoMaster Pro cameras are designed to improve safety during driving by providing high quality images of surrounding areas and obstacles in the vicinity of the vehicle. They will also improve vehicle maneuvering capability by displaying blind spots not normally visible to the driver.

Please ensure you read and understand all aspects of this manual before fitting or using your EchoMaster Pro Camera. Choose a suitable mounting place dependent on the application. Ensure that there are no wiring harnesses or hoses/pipes located behind this panel before drilling.

Key Features

- ▶ 1/4" CMOS Sensor
- ▶ Operates at 0 LUX
- ▶ 7 IR LEDs
- ▶ IP67 Rated
- ▶ 170 Degree Viewing Angle
- ▶ Selectable Image (mirrored/non-mirrored)
- ▶ Parking Lines (Selectable)

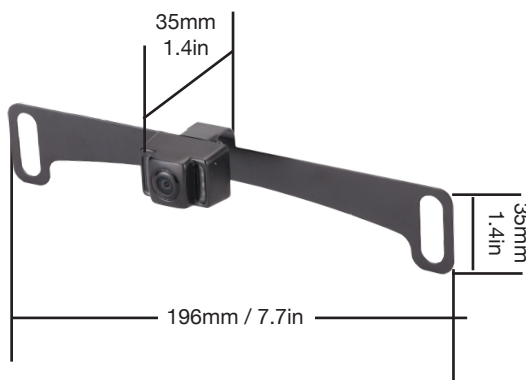
Specifications

	PCAM-101-N
Sensor Type	1/4" CMOS
LEDs	7
Illumination	0 LUX
Viewing Angle	170 degrees
Mirror Image	YES
Normal View	YES
Water/Debris-Proof	IP67
Audio	NO
Power Supply	9-16V DC
Current	<150mA
Working Temperature	-30°C - +70°C
Dimensions (mm)	D (35) x W (196) x H (35)
System	NTSC
TV Lines	420
Resolution	648 x 488

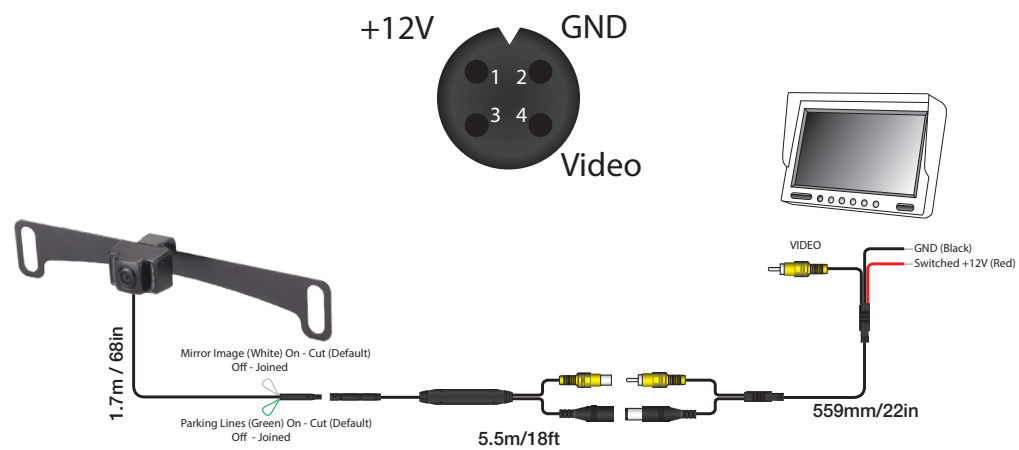
Box Contents

- ▶ Camera
- ▶ License Plate Bracket
- ▶ Lip Mount Bracket
- ▶ Wiring Harness
- ▶ Manual

Dimensions (mm/in)



Wiring Diagram & Pin Out



EchoMaster is a Power Brand of AAMP Global
 EchoMaster.com
 15600 Lightwave Drive, Suite 202
 Clearwater, Florida 33760
 Woolmer Way, Bordon, Hampshire,
 GU35 9QE, United Kingdom
 email - support@aampglobal.com (US)
 email - technical.eu@aampglobal.com (Europe)

